

**NIMBUS**  
**TL12413**  
**TABLE LAMPS**

PROJECT



TL12413-BK/OP  
 Black/Opal Glass



TL12413-VB/OP  
 Black/Opal Glass

**SPECIFICATION DETAILS**

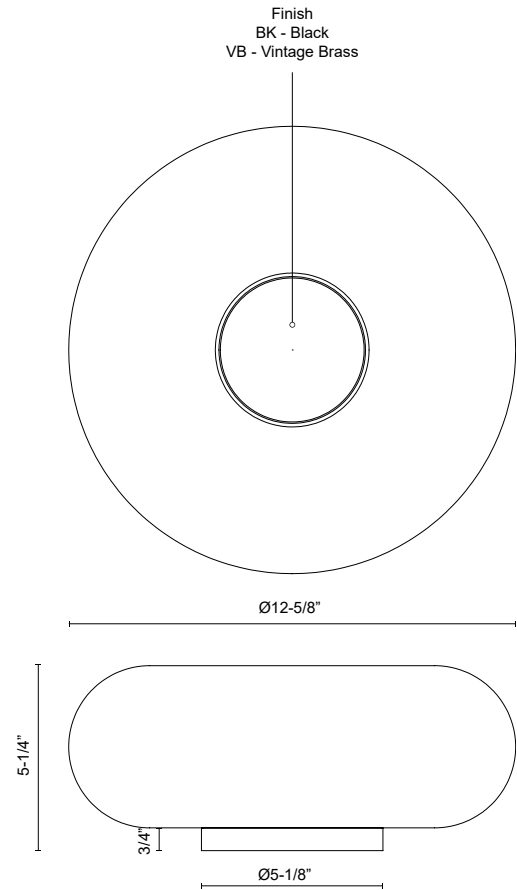
<b>Fixture Dimensions</b>	D12-5/8" x H5-1/4"
<b>Light Source</b>	LED
<b>Wattage</b>	16W
<b>Total Lumens</b>	950lm
<b>Delivered Lumens</b>	755lm*
<b>Voltage</b>	120V
<b>Color Temperature</b>	2700K
<b>CRI (Ra)</b>	90CRI
<b>Optional Color Temps</b>	2700K - 5000K Available, Minimum Order Quantities Apply
<b>LED Rated Life</b>	50,000 hours
<b>Dimming</b>	3-Step Touch Dimmer and ON/OFF
<b>Shade Details</b>	Opal Glass Shade
<b>Glass Details</b>	Opal Glass
<b>Wire Length</b>	72" Max
<b>Location</b>	Dry
<b>Illumination Direction</b>	Omni-directional
<b>Base Dimensions</b>	D5-1/8" x H3/4"
<b>Material</b>	Aluminum + Glass
<b>Paint Finish</b>	WH02

\* For custom options, consult factory for details.  
 \* For warranty information, please visit [www.kuzcolighting.com/warranty](http://www.kuzcolighting.com/warranty)

**DESCRIPTION**

Meet Nimbus: A table lamp collection embodying the ethereal lightness of clouds. Crafted with round opal glass, it brings a celestial glow to any space. With tap-to-dim control at its center, adorned in vintage brass or matte black hardware accents, Nimbus offers both ambiance and style at your fingertips.

- Cloud-like illumination
- Integrated LED, no need for bulbs
- Tap-to-dim and Tap on/off switch
- 72" white cord
- Vintage Brass or Matte Black accents



**KUZCO**

CANADA: 19054 28TH AVENUE - SURREY, BC V3Z 6M3  
 USA: 3035 E. LONE MOUNTAIN ROAD - LAS VEGAS, NV 89081

[WWW.KUZCOLIGHTING.COM](http://WWW.KUZCOLIGHTING.COM)

© 2024 KUZCO LIGHTING. ALL RIGHTS RESERVED.

**COMMENT**

